

## ***SMW Quattro Digital***



### ***The optimized Quattro***

For optimal performance and reliability in reception of Low- and High band transmissions simultaneously, as well as both Vertical- and Horizontal polarizations, SMW has design a Quattro based on individually tested and adjusted products. The professional Quattro consists of two professional WDL Digital LNBS assembled with one ortho mode transducer (OMT) protected under a plastic cover. Available with LO 9.75 + 10.6 GHz (type E) or 10.0 + 10.75 GHz (type B).

Comes as standard with very low phase noise, high cross polarization (Isolation), F- or N-connectors and two-years warranty. Options include high LO stability customized gain and low output VSWR 1.55:1.

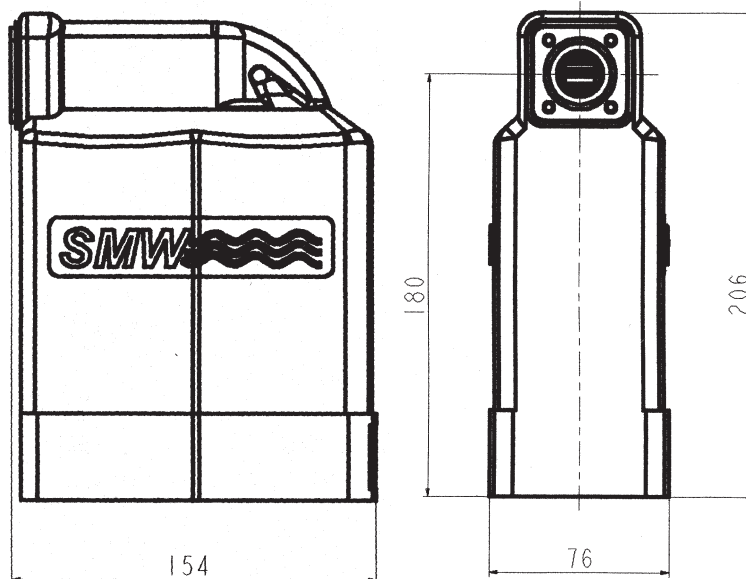
All our LNBS are individually hand tuned to get the very best performance available for each unit. Quality and long term reliability is also essential. Therefore are all LNBS tested according to a very extensive test program, which includes heating, cooling, water-proof testing and rigorous electrical testing.

Swedish Microwave was founded 1986 and, within Europe, is the oldest manufacturer of LNBS. In the standard product range we have DRO-LNBS, PLL-LNBS, LNAs, Block Downconverters (BDC), Up- & Down Converters, Quattro LNBS, Twin LNBS, Ortho mode transducers (OMT), Line Amplifiers and Feed horns.

Swedish Microwave is today one of the leading manufacturers of microwave components needed for satellite receiving equipment and other industrial products.

# Specification SMW Quattro Digital

SMW	Quattro Digital type E	Quattro Digital type B
Frequency range	10.7 - 12.75 GHz	10.95 - 12.75 GHz
LO frequency	9.75 GHz (Low band) 10.6 GHz (High band)	10.0 GHz (Low band) 10.75 GHz (High band)
Output frequency	950 - 1950 MHz (Low band) 1100 - 2150 MHz (High band)	950 - 1750 MHz (Low band) 950 - 2000 MHz (High band)
Spurious signals in low band high band	-60 dBm typ. @ 1700 MHz -70 dBm typ. @ 1700 MHz	-60 dBm typ. @ 1500 MHz -70 dBm typ. @ 1500 MHz
<b>General Specification</b>		
Noise figure, typical	0.9 dB	
Gain	52 +/- 4 dB	
Gain variation	+/- 0.4 dB within 30 MHz	
LO stability (over temp.)	+/- 3 MHz	
Phase noise typ	-75 dBc @ 1 kHz -85 dBc @ 5 kHz -95 dBc @ 10 kHz -110 dBc @ 100 kHz -115 dBc @ > 1 MHz	
Input	Circular waveguide 18 mm	
Cross polarization	31.5 dB min	
LO radiation	-60 dBm	
Image rejection	50 dB min.	
1 dB gain compression point	+5 dBm	
DC power	12-24V / 180 mA typ on each polarization (the DC can be feed through any of the two connectors of each polarization)	
Operating temperature	-30 to +60° C	
Output connectors (waterproof)	F-connectors 75 ohm or N-connectors 50 ohm	
Output VSWR	2:1 max	
Weight	1666 g (F-connectors) 1741 g (N-connectors)	
<b>Options</b>	High stability LO, +/- 1 MHz over temp. High stability LO, +/- 1.5 MHz over temp. High stability LO, +/- 2 MHz over temp. Low gain Low output VSWR, 1.55:1	
<b>Accessories</b>	Adapter C120/C120 , see Feedhorn leaflet Adapter Prodelin , see Feedhorn leaflet Feedhorns, see Feedhorn leaflet	
<b>Enclosed accessories</b>	O-ring	



Box 230  
591 23 MOTALA, SWEDEN  
Tel. +46 141 21 61 35  
Fax. +46 141 21 52 24  
e-mail: [info@smw.se](mailto:info@smw.se)  
Website: <http://www.smw.se>